

# PKS-FD332S-10 - Servo System



FEATURES

- 88-126VAC Single-Phase Input Voltage
- Rated Torque of 3.18 Nm
- Power Ratings up to 1000 Watts
- 2,500 PPR Incremental Encoder
- Maximum Speed of 5500 RPM
- IP65 for Body, IP54 Shaft Seal
- Brake Option Available
- Position, Speed, and Torque Control
- Communication Ports: RS232 and RS485



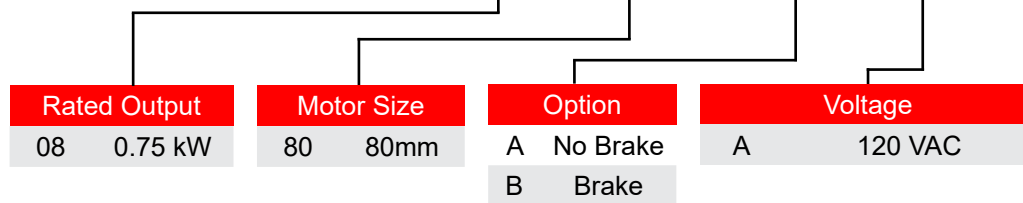
DESCRIPTION

The PKS-FD332S-10-80S Servo System includes a 1000 Watt SMH80S-0100 AC Servo Motor operated by the FD332S-LA-000 Drive. These packages are ideal and provide easy start-ups, convenience, and performance. The Servo Motors included in these packages provide torque up to 3.18 Nm. The FD332S-LA-000 Drive offers current forward-feedback control, acceleration forward-feedback control, speed viewer, and inertia viewer; providing for improved response performance. Each system includes a 5m Motor Power Cable and a 5m Encoder Cable. If purchasing the option with a Brake then a 5m Brake Cable will be included as well.

Item	Rated Voltage (VAC)	Rated Speed (RPM)	Rated Torque (Nm)	Rated Current (Arms)	Inertia (kg-cm <sup>2</sup> )	Torque Constant KT (Nm/A)	Resistance (ohms)	Inductance (mH)	Brake (24VDC)	Motor Length (mm)	Shaft Diameter (mm)
PKS-FD332S-10-80S-AAK-AKH	88-126	3000	3.18	10	1.85	0.331	0.32	1.6	No	167	19
PKS-FD332S-10-80S-ABK-AKH	88-126	3000	3.18	10	1.85	0.331	0.32	1.6	Yes	217	19

ORDERING INFORMATION

## PKS-FD332S-08-80S-AAK-AKH



L011589

# SMH80S-0100 Motor Specifications



FEATURES

- 120 VAC
- 1000 Watt Power Rating
- Rated Torque of 3.18 Nm
- Maximum Speed of 5500 RPM
- 2500 PPR Incremental Encoder Attached
- IP65 for Body, IP54 Shaft Seal
- Brake Option Available
- CE Certified



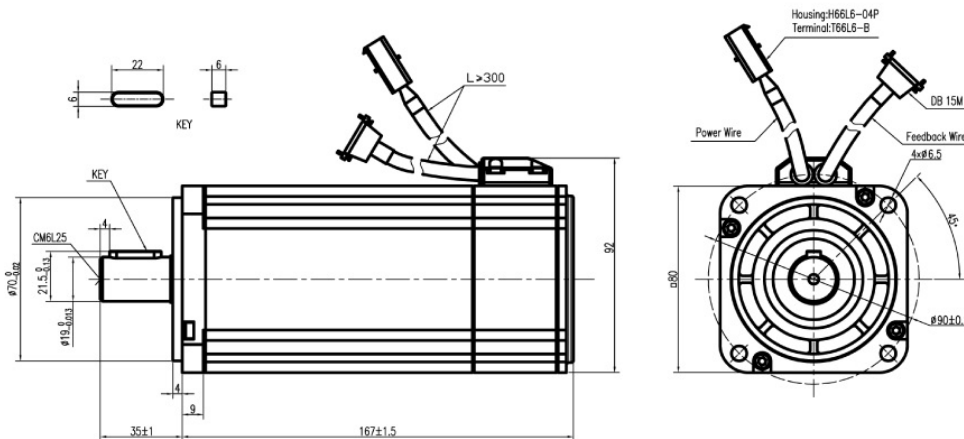
SPECIFICATIONS

Item	Rated Torque (Nm)	Rated Power (Watts)	Rated Speed (rpm)	Rated Current (Arms)	Inertia (kg-cm <sup>2</sup> )	Torque Constant KT (Nm/A)	Resistance (ohms)	Inductance (mH)	Length (mm)	Weight (kg)
SMH80S-0100-30AAK-3AKH	3.18	1000	3000	10	1.85	0.331	0.32	1.6	167	3.9
SMH80S-0100-30ABK-3AKH	3.18	1000	3000	10	1.85	0.331	0.32	1.6	217	4.6

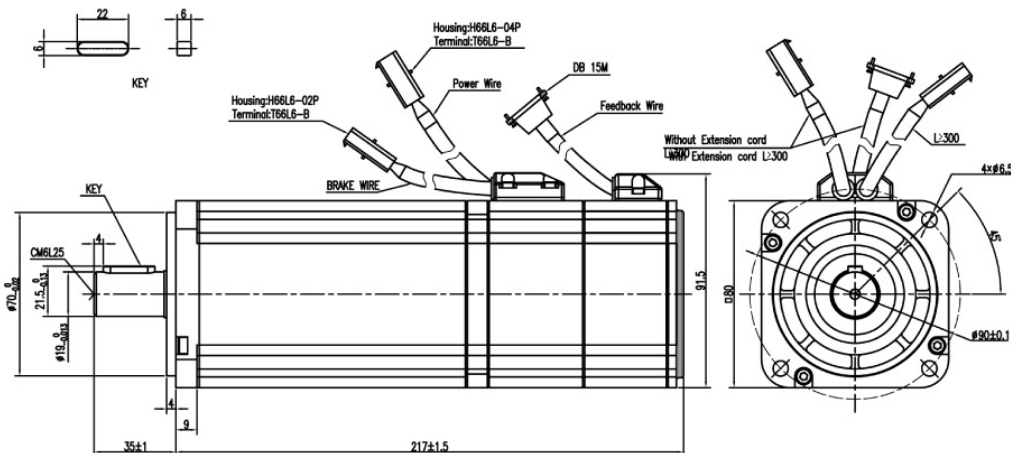
Note: Part Number SMH80S-0100-30ABK is with the brake option.

Dimensions are in mm

KNC-SRV-SMH80S-0100-30AAK-3AKH



KNC-SRV-SMH80S-0100-30ABK-3AKH



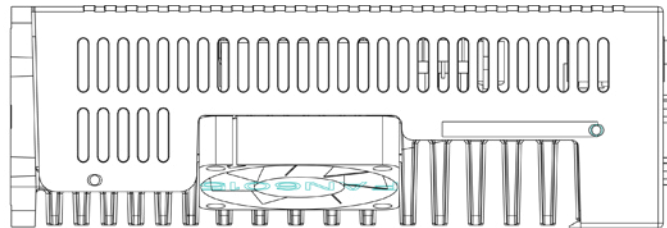
DIMENSIONS

# FD332S-LA-000 Driver Specifications

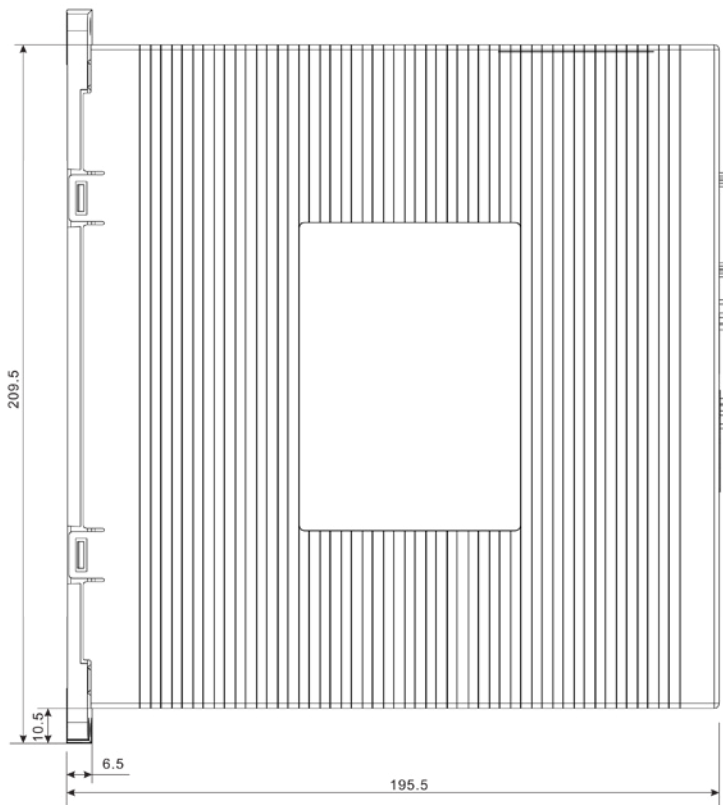
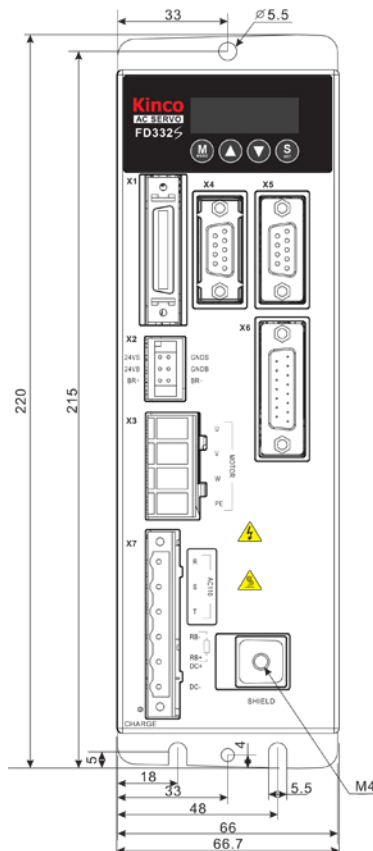


## FEATURES

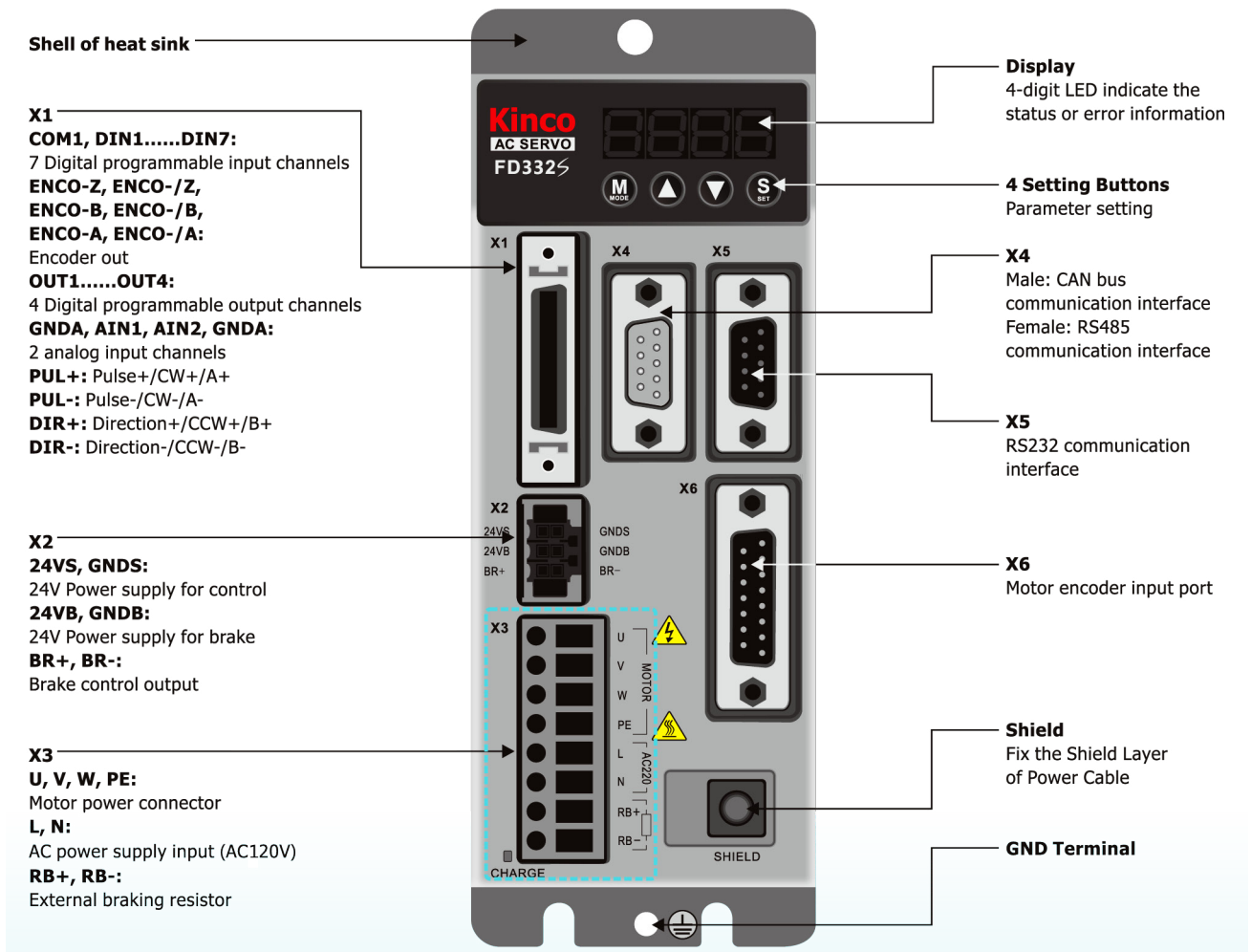
- 88-126VAC Single Phase Input
- 750-1000 Watt Power Range
- Communication Ports: RS232 and RS485
- Communication Protocol: MODBUS
- 7 Digital Inputs, 5 Digital Outputs
- 2500 PPR Incremental Encoder Attached
- 2 Analog Inputs
- CAN BUS Port and CANopen Optional
- Communication Software
  - Configure Parameters
  - I/O Signal Monitoring
  - Speed and Position Curves
  - Gain Adjustments
- CE Certified



## DIMENSIONS



Dimensions are in mm



## Digital Input/Output Port

PIN No.	Signal	PIN No.	Signal	PIN No.	Signal	PIN No.	Signal
2	COM1	1	OUT1+	20	NC	19	AIN1
4	DIN1	3	OUT1-	22	NC	21	GNDA
6	DIN2	5	OUT2+	24	GND	23	AIN2
8	DIN3	7	OUT2-	26	ENCO-Z	25	GNDA
10	DIN4	9	OUT3	28	ENCO-Z	27	PUL+
12	DIN5	11	OUT4	30	ENCO-B	29	PUL-
14	DIN6	13	COM0	32	ENCO-B	31	DIR+
16	DIN7	15	NC	34	ENCO-A	33	DIR-
18	NC	17	NC	36	ENCO-A	35	NC

Female: RS485

Male: CAN bus

PIN Number	Signal	PIN Number	Signal
1	NC	1	NC
2	RX+	2	CAN_L
3	TX+	3	GND
4	NC	4	NC
5	GND	5	NC
6	+5V	6	NC
7	RX-	7	CAN_H
8	TX-	8	NC
9	NC	9	NC

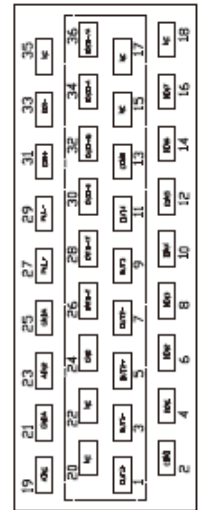
Female: RS232

PIN Number	Signal
1	NC
2	TX
3	RX
4	NC
5	GND
6	NC
7	NC
8	NC
9	NC

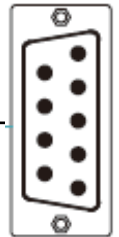
Female: Encoder Input

PIN No.	Incremental Encoder Signal	PIN No.	Incremental Encoder Signal	PIN No.	Communication Encoder Signal	PIN No.	Communication Encoder Signal
1	+5V	9	GND	1	+5V	9	GND
2	A	10	/A	2	NC	10	NC
3	B	11	/B	3	NC	11	NC
4	Z	12	/Z	4	NC	12	NC
5	U	13	/U	5	NC	13	NC
6	V	14	/V	6	NC	14	NC
7	W	15	/W	7	SD	15	/SD
8	PTC_IN			8	NC		

X1

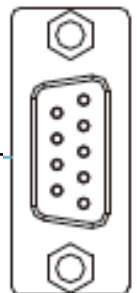


X4



9 Pin DB

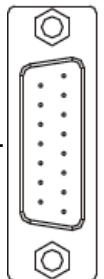
X5



9 Pin DB Female

X6

Motor Encoder Input Port



15 Pin DB Female

## Compatible Drivers

Part Number	Description
FD332S-LA-000	Servo Driver 120VAC



## Compatible Motors

Part Number	Description
SMH80S-0100-30AAK-3AKH	Servo Motor
SMH80S-0100-30ABK-3AKH	Servo Motor with Brake



## Compatible Cables

Part Number	Description
ENCCA-05-KH	Encoder Cable
MOT-005-05-KL	Power Cable
BRA-05-KL	Brake Cable

